

RediFLOOR Accessories:

# PALLET SAFETY GATES



Roll-over gate



Concertina 'LC/HP' design

## RediFLOOR pallet safety gates - safe and easy to use

Ensure operator safety  
Foolproof operation  
Easy to open and close

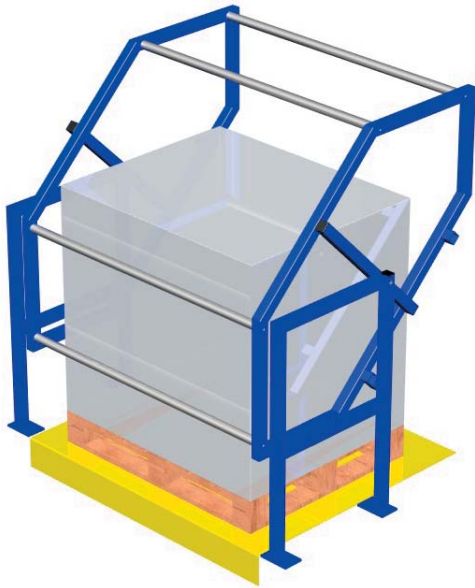
Standard or double width  
Range of designs  
Wear/protection plates

# RediFLOOR



# RediFLOOR

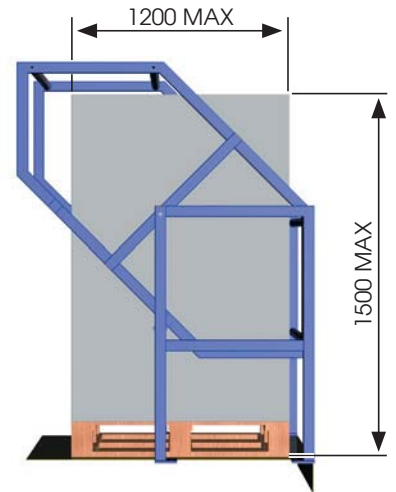
by Redirack



## Up and over pallet safety gate

This safety gate is recommended for pallets of up to 1500mm high. The maximum clear entry width of the gate is 2700mm.

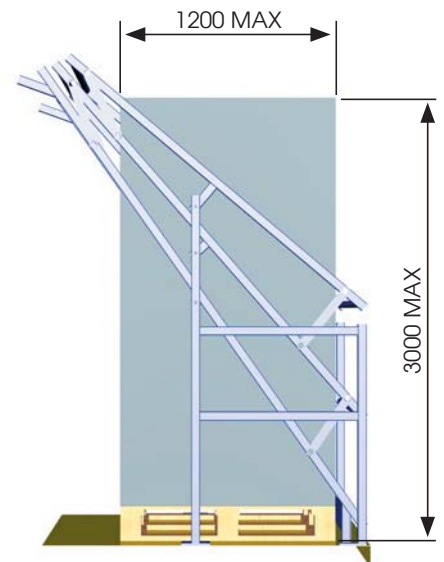
Counterbalanced about a central pivot point for ease of use, this standard pallet safety gate can be supplied, upon request, with a highly durable 'durbar' steel wear plate. This protects the floor area within the safety gate and provides a 150mm overhang to shield the front edge of the mezzanine floor from pallet impact.



## LC/HP (Low ceiling/high pallet) safety gate

This safety gate is recommended for pallets of between 1500mm and 3000mm in height. The clear entry width of the gate ranges from 1600mm to 3000mm in 50mm increments.

As the gate does not 'roll over' the top of the pallet when opening and closing, it can be fitted in areas where vertical space is limited. Typically add only 300mm to the height of the pallet to get your gate clearance. This gate can also be supplied with a wear plate upon request.



**A range of pallet safety gate designs for more specialized operational requirements is available on request.**

**Call us now on 01709 584711**